

# We Design & Manufacture Mechanic Instruments

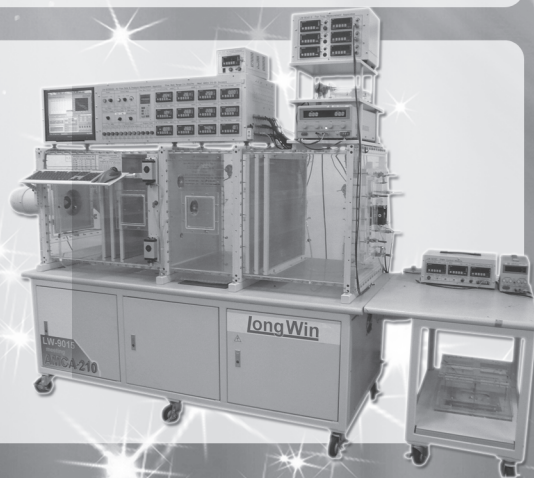


## ► Heat & Mass Transfer

- \* Fan PQ Performance
- \* Thermal Conductivity & Resistance of Material
- \* Cooler Module
- \* Heat Pipes & Vapor Chamber
- \* LED
- \* IC Package
- \* Natural Convection Simulation
- \* Thermal Simulation of Rack & Data Center

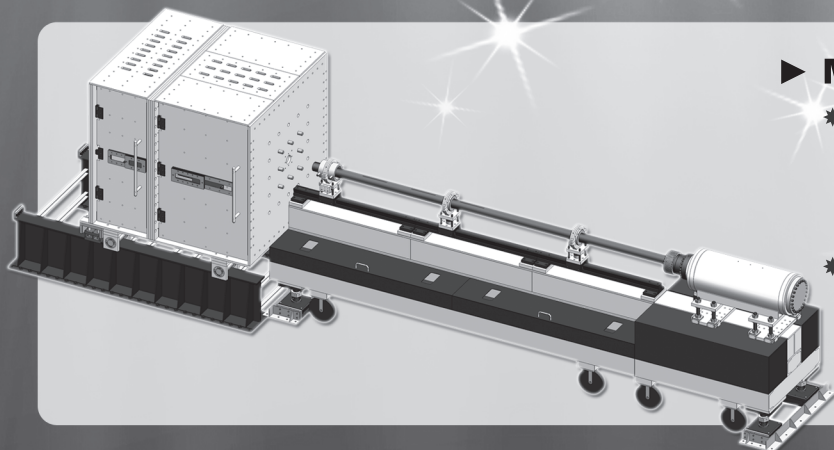
## ► Fluid Mechanics

- \* Standard Air Flow Rate Generator  
- AMCA 210 Wind Tunnel
- \* Wind Tunnel
- \* Water Tunnel
- \* Flow Visualization
- \* Laser Sheet Generator
- \* Wind Turbine Testing



## ► Material Mechanics

- \* Split Hopkinson Bar Facility  
- Pressure  
- Tension  
- Torsion
- \* Impact Tester



Headquarter in Taiwan  
 Long Win Science & Technology Corp.  
 TEL: +886 3 464 3221  
 Email: longwin@longwin.com

Sales & Services in USA & Canada  
 KC Engineering & Services, Inc  
 TEL: +1 925 683 9953  
 Email: irisyang@longwin.com

For more information,

<http://www.longwin.com>

**longWin**  
*Fundamental, Forward & First*

Since 1985